

ENGINE

Model	Case Family III 445T/M3 diesel, Tier III certified	
Type	4-stroke, turbocharged	
Cylinders	4	
Bore/Stroke	4.09 in x 5.19 in (104 x 132 mm)	
Displacement	274 in ³ (4.5 L)	
Fuel injection	Direct	
Fuel	Diesel	
Fuel filter	w/water trap	
Air intake	Cross-flow	
Cooling	Liquid	
Engine speeds* (rpm)		
Rated speed, full load	2200	
Low idle	875 - 1025	
High idle, no load	2300 - 2450	
Horsepower		
Gross	84 (63 kW) @ 2200 rpm	
Net	79 (59 kW) @ 2200 rpm	
Maximum torque @ 1400 rpm		
Gross	276 lb-ft (374 N-m)	
Net	271 lb-ft (367 N-m)	
Torque rise at rated speed	36%	

NOTE: Meets federal emission regulations.

ENGINE COOLING

Radiator		
Core type	Square wave	
Core size area	487 in ² (.315 m ²)	
Rows of tubes	3	
Fan		
Style	7 blade suction	
Diameter	19.2 in (488 mm)	
Ratio	1.1:1	
Water pump		
Style	Integral	
Engine oil		
Pump	Deep sump plate cooler with pressurized under-piston nozzles	
Pump operating angle ratings		
Side-to-side	Rated 35°	
Fore and aft	Rated 35°	
Oil filtration	Replaceable, full-flow cartridge	

TIRES

Front		
2WD	- 11L x 16.1, 10-ply rating	
4WD	- 12 x 16.5, 8-ply rating	
Rear		
2/4WD	- 17.5L x 24, 10-ply rating	
2/4WD	- 19.5L x 24, 10-ply rating	

POWERTRAIN

Transmission	4-speed synchromesh with hydraulically actuated clutches and electric F/R shuttle control, clutch disconnect buttons on the transmission shifter and loader control lever		
Gear ratios	Forward	Reverse	
1st	5.603	4.643	
2nd	3.481	2.884	
3rd	1.584	1.313	
4th	0.793	0.657	
Torque converter			
Ratio	3.223		
Differential lock	On-the-go push-button activation		
Front axle			
Differential ratio	2.0		
Planetary hub ratio	6.0		
Total reduction ratio	12.0		
Rear axle			
Differential ratio	2.5		
Planetary hub ratio	6.4		
Total reduction ratio	16.0		

Service brakes

Individually applied, power assisted, hydraulically actuated, maintenance-free, self-adjusting, outboard mounted, wet disc, 2 per side

Disc area 384 in² (.25 m²)

Parking brakes

Spring applied hydraulic release (SAHR)

Travel speeds – mph (km/h)

	1st	2nd	3rd	4th
Forward	3.8 (6.1)	6.1 (9.8)	12.9 (20.8)	24.3 (39.1)
Reverse	4.5 (7.3)	7.3 (11.7)	15.5 (24.9)	29.1 (46.9)

NOTE: Travel speeds at 2283 engine rpm with 19.5 x 24 tires. Speeds decrease with 17.5L x 24 rear tires.

ELECTRICAL

Voltage	12 volts, negative ground	
Alternator	90 amp	
Battery	850 cold-cranking amps	
Optional batteries	(2) 850 cold-cranking amps	
Power plugs	(2) 30 amps ea.	

HYDRAULICS

Pump	Gear-type, transmission driven coupled directly to the engine	
Main relief pressure	3050 + 50 - 50 psi @ 28.5 gpm (210 + 3 - 3 bar @ 108 L/min)	
Filtration	7-micron, full flow replaceable cartridge on return line, condition indicator light for filter	
Oil cooler	Heavy-duty	
Loader flow @ rated engine rpm	28.5 gpm @ 3050 psi (108L/min @ 210 bar)	
Loader control valve	Monoblock single lever control for lift, tilt and auxiliary hydraulics, positive hold float and return-to-dig	
Loader auxiliary hydraulics proportional thumb switch w/detent on loader control handle.	Loader auxiliary hydraulics with full available flow.	
	0 - 28.5 gpm (0 - 108 L/min)	
Backhoe flow @ rated engine rpm	28.5 gpm @ 3050 psi (108 L/min @ 210 bar)	
Manual Backhoe Controls		
Backhoe Control Valve	Monoblock open-center, parallel circuits. Boom and dipper, with pilot operated checks	
Pilot Backhoe Controls		
Pressure compensated backhoe hydraulics for simultaneous multifunction operation.	6, 7 or 8 spool sectional closed center with open center inlet and circuits in parallel.	
Backhoe Control Valve	Sectional closed-center with inlet compensator and circuits in parallel	
Backhoe auxiliary hydraulics		
Uni-directional flow, adjustable variable flow from 0 to 28.5 gpm (108 L/min)	Control operation	
	Manual	Foot switch activated
	Pilot	Button on left joystick
Bi-Directional flow, variable flow from 0 to 28.5 gpm (108 L/min) @ rated engine rpm	Control Operation	
	Manual	Hand lever
	Pilot	Buttons on left joystick

OPERATOR ENVIRONMENT

ROPS/FOPS canopy
Key start
Hydrostatic steering
Non-suspension seat w/180° swivel
Hand and foot throttles
Ergonomic loader control lever w/push-button activation of differential lock and transmission de-clutch
Backhoe foot-swing w/3 lever control
(2) Accessory power plugs (30 amp)
Anti-vandalism covers (canopy only)
Cup holder
Coat hook w/tether strap (cab only)
Interior rearview mirror
2 in (51 mm) retractable seat belt
Storage compartment w/lid
Left side storage tray

INSTRUMENTATION

Gauges
Engine water temperature
Converter oil temperature
Fuel
Tachometer/hourmeter
Voltmeter
Warning lights
Air cleaner restriction
Alternator
Engine oil pressure
AC high pressure
Cold start
Hydraulic oil filter bypass
Parking brake engagement
Low fuel
Audible alarms
Coolant temperature
Engine oil pressure
Parking brake engagement
Shuttle engagement/seat position
Backup alarm
Horn – dual switched front and rear

TURNING DIAMETER

2WD	
Brakes on	21 ft 3 in (6.48 m)
Brakes off	24 ft 7 in (7.49 m)
4WD – engaged	
Brakes on	22 ft 1 in (6.72 m)
Brakes off	28 ft 3 in (8.62 m)
4WD – disengaged	
Brakes on	22 ft 0 in (6.70 m)
Brakes off	25 ft 3 in (7.70 m)

NOTE: Turning diameter dimensions curb to curb w/19.5L x 24 rear tires and 82 (2.08 m) general purpose or 4 in 1 bucket.

OPERATING WEIGHTS

Lightest Configuration

Unit equipped with 2WD, ROPS canopy, non-suspension seat, 82 in (2.08 m) general purpose loader bucket, 24 in (610 mm) general purpose backhoe bucket, standard dipperstick, 17.5L x 24 rear tires, 11L x 16.1 front tires, single battery, standard cast stabilizer pads, no operator 13,359 lb (6060 kg)

Heaviest Configuration

Unit equipped with 4WD, cab, suspension seat, 82 in (2.08 m) 4 IN 1® loader bucket, 24 in (610 mm) general purpose backhoe bucket, Extendahoe® dipperstick, 19.5L x 24 rear tires, 12L x 16.5 front tires, dual batteries, flip stabilizer pads, no operator 16,510 lb (7489 kg)

Add-on weights

Cab (over canopy)	+454 lb (206 kg)
Counterweights	+440 lb (200 kg) +900 lb (408 kg)
Extendahoe®	+430 lb (195kg)
4WD w/driveshaft guard	+283 lb (128 kg)

SERVICE CAPACITIES

Fuel tank	31.4 gal (119 L)
Optional tank	40.0 gal (151 L)
Hydraulic system	
Total	26.0 gal (98.2 L)
Total w/Extendahoe®	27.5 gal (104 L)
Reservoir w/filter	12.5 gal (47.1 L)
Reservoir w/o filter	12.0 gal (45.2 L)
Transmission	
2WD Total system	18 qt (17 L)
4WD Total system	20.5 qt (19.4 L)
4WD Front axle	
Differential	5.8 qt (5.5 L)
Planetaries (each)	0.8 qt (0.7 L)
Rear axle	
Differential	14.4 qt (13.6 L)
Planetaries (each)	1.6 qt (1.5 L)
Engine oil w/filter	14.4 qt (13.6 L)
Cooling system	
w/heater	17.8 qt (16.8 L)
w/o heater	17.0 qt (16.1 L)
Window washer reservoir	3.5 qt (3.3 L)

LOADER

Single-lever control for lift and tilt
Positive hold float
Return-to-dig
Automatic self-leveling
In-line, reverse linkage
Dual parallel dump cylinders
Clutch disconnect button on loader control and shift levers
Bucket position indicator

Loader Bucket Sizes

Width	Weight	Struck	Heaped
General Purpose Bucket			
82 in (2.08 m)	686 lb* (311 kg)	0.87 yd³ (0.67 m³)	1.03 yd³ (0.79 m³)
93 in (2.36 m)	933 lb* (423 kg)	1.07 yd³ (0.82 m³)	1.25 yd³ (0.96 m³)
4 IN 1® Bucket			
82 in (2.08 m)	1462 lb (663 kg)	0.85 yd³ (0.65 m³)	1.04 yd³ (0.80 m³)

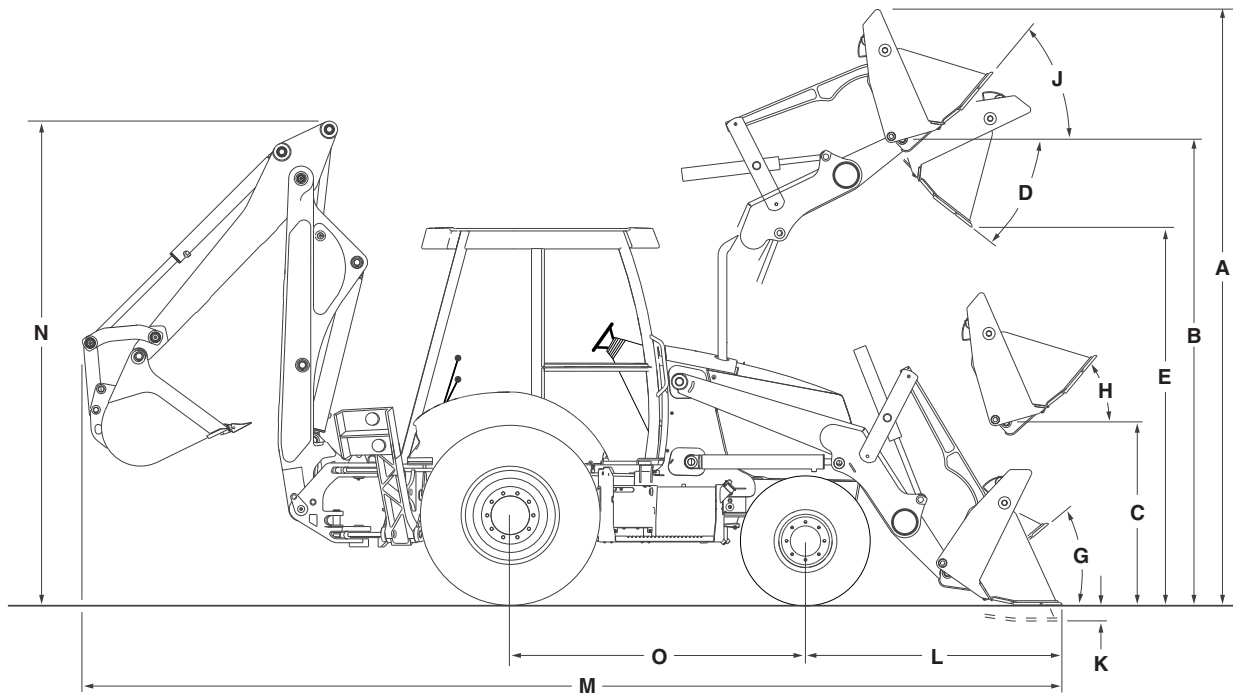
NOTE: *Add 103 lb (47 kg) to 82 in (2.08 m) general purpose bucket for bolt-on cutting edge.

BACKHOE

Over-center design
Cast, ductile iron boom, and swing tower
Open-center hydraulics - Pro Control System
15, 700 lb-ft (21 297 N-m) swing torque
Foot-swing w/3 lever control
Wing stabilizers w/cleated dirt pad

Backhoe Bucket Sizes

Width	Weight	Heaped
General Purpose Trenching Buckets		
18 in (457 mm)	255 lb (116 kg)	4.7 ft³ (0.13 m³)
24 in (610 mm)	300 lb (136 kg)	6.26 ft³ (0.17 m³)
30 in (762 mm)	380 lb (172 kg)	7.83 ft³ (0.22 m³)
Universal Buckets		
12 in (305 mm)	290 lb (132 kg)	3.40 ft³ (0.10 m³)
16 in (406 mm)	346 lb (157 kg)	3.60 ft³ (0.10 m³)
18 in (457 mm)	350 lb (159 kg)	5.30 ft³ (0.15 m³)
24 in (610 mm)	413 lb (187 kg)	7.70 ft³ (0.22 m³)
30 in (762 mm)	475 lb (215 kg)	10.20 ft³ (0.29 m³)
36 in (914 mm)	535 lb (243 kg)	12.70 ft³ (0.36 m³)
High Capacity Buckets		
24 in (610 mm)	450 lb (204 kg)	8.50 ft³ (0.24 m³)



LOADER DIMENSIONS

	General Purpose Bucket*	4 IN 1® Bucket
A. Overall operating height – fully raised	13 ft 8 in (4.17 m)	14 ft 3 in (4.34 m)
Height to –		
B. Bucket hinge pin fully raised	11 ft 2 in (3.4 m)	11 ft 2 in (3.4 m)
C. Bucket hinge pin @ SAE carry	12.7 in (323 mm)	14.6 in (372 mm)
D. Dump angle @ full height	46°	45°
E. Dump clearance @ full height, 45° dump –		
Bucket	8 ft 8 in (2.64 m)	8 ft 11 in (2.72 m)
Clam open	NA	9 ft 8 in (2.95 m)
F. Dump reach @ full height, 45° dump –		
Bucket	28.2 in (717 mm)	27.7 in (704 mm)
Clam open	NA	14.2 in (360 mm)
Bucket rollback –		
G. @ groundline	40°	40°
H. @ SAE carry	45°	45°
J. @ full height	Adjustable	Adjustable
K. Digging depth below grade –		
Bucket flat	7.8 in (199 mm)	7.1 in (180 mm)
Clam open (dozing)	NA	4.4 in (111 mm)
L. Reach from front axle centerline – bucket on ground	77.6 in (1.91 m)	75.2 in (1.85 m)
Lift capacity to full height	6,182 lb (2804 kg)	5,514 lb (2501 kg)
Breakout force –		
Lift cylinders	9,164 lbf (40 760 N)	8,766 lbf (39 600 N)
Dump cylinders	9,480 lbf (42 170 N)	10,325 lbf (45 820 N)
Bucket cutting edge width	82 in (2.08 m)/93 in (2.36 m)	82 in (2.08 m)
Maximum grading angle	116°	116°
Maximum clam opening	NA	38.3 in (972 mm)
Moldboard height	NA	36.8 in (934 mm)
Raising time to full height	5.3 sec	5.3 sec
Bucket dumping time	1.1 sec	1.1 sec
Lowering time –		
Power down	2.4 sec	2.4 sec
Return-to-dig	3.2 sec	3.2 sec
Clam –		
Open time	NA	2.3 sec
Close time	NA	3.1 sec

NOTE: Loader dimensions taken with 4WD, 19.5L x 24 rear tires and 82 in (2.08 m) general purpose bucket *without bolt-on cutting edge.

DIMENSIONS

	Standard Backhoe	Extendahoe®	
		Retracted	Extended
M. Overall transport length –			
General purpose bucket	23 ft 2 in (7.07 m)	23 ft 2 in (7.07 m)	NA
4 IN 1® bucket	23 ft 1 in (7.05 m)	23 ft 1 in (7.05 m)	NA
Overall transport width	7 ft 2 in (2.18 m)	7 ft 2 in (2.18 m)	NA
Height –			
To top of canopy	8 ft 9 in (2.67 m)	8 ft 9 in (2.67 m)	8 ft 9 in (2.67 m)
To top of cab	8 ft 11 in (2.72 m)	8 ft 11 in (2.72 m)	8 ft 11 in (2.72 m)
To top of exhaust stack	8 ft 8 in (2.64 m)	8 ft 8 in (2.64 m)	8 ft 8 in (2.64 m)
N. Transport	11 ft 3 in (3.42 m)	11 ft 7 in (3.53 m)	11 ft 7 in (3.53 m)
Ground clearance at backhoe frame	14.8 in (376 mm)	14.8 in (376 mm)	14.8 in (376 mm)
Angle of departure	20°	20°	20°
Front wheel tread –			
2WD	67.5 in (1.71 m)	67.5 in (1.71 m)	67.5 in (1.71 m)
4WD	67.7 in (1.72 m)	67.7 in (1.72 m)	67.7 in (1.72 m)
Width across tires			
17.5L x 24	81.7 in (2.074 m)	81.7 in (2.074 m)	81.7 in (2.074 m)
19.5L x 24	81.4 in (2.67 m)	81.4 in (2.67 m)	81.4 in (2.67 m)
O. Wheelbase –			
2WD	84 in (2.13 m)	84 in (2.13 m)	84 in (2.13 m)
4WD	84.5 in (2.15 m)	84.5 in (2.15 m)	84.5 in (2.15 m)

CYLINDERS

	Bore Diameter	Rod Diameter	Stroke
Loader			
Lift (2)	3.25 in (82.6 mm)	1.75 in (44.5 mm)	30.2 in (766 mm)
Bucket (2)	2.75 in (69.9 mm)	1.5 in (38.1 mm)	20.6 in (522 mm)
4 IN 1® clam (2)	3.0 in (76 mm)	1.75 in (44.5 mm)	9.1 in (231 mm)
Backhoe			
Boom	4.5 in (114 mm)	2.25 in (57.2 mm)	38.6 in (981 mm)
Dipperstick	4.25 in (108 mm)	2.25 in (57.2 mm)	27.0 in (686 mm)
Bucket	3.25 in (82.6 mm)	2.25 in (57.2 mm)	34.3 in (872 mm)
Extendahoe®	3.0 in (76 mm)	1.75 in (44.5 mm)	42.0 in (1.07 m)
Swing (2)	3.75 in (95.3 mm)	2.0 in (50.8 mm)	11.5 in (292 mm)
Stabilizer (2)	4.0 in (101.6 mm)	2.0 in (50.8 mm)	21.8 in (553 mm)
Steering			
2WD	2.75 in (69.9 mm)	1.5 in (38.1 mm)	6.7 in (170 mm)
4WD	2.48 in (63 mm)	1.5 in (38.1 mm)	9.53 in (242 mm)

BACKHOE LIFT CAPACITIES

Boom Lift	Standard Backhoe		Extendahoe®			
	Distance from swing pivot (m)	Backhoe lift capacity – lb (kg)	Retracted		Extended	
			Distance from swing pivot (m)	Backhoe lift capacity – lb (kg)	Distance from swing pivot (m)	Backhoe lift capacity – lb (kg)
+16 ft (4.87 m)					12 ft 7 in (3.84)	810 (367)
+14 ft (4.27 m)	8 ft 3 in (2.52)	1,950 (885)	9 ft 6 in (2.89)	1,280 (581)	14 ft 8 in (4.47)	1,400 (635)
+12 ft (3.66 m)	10 ft 9 in (3.28)	2,700 (1225)	11 ft 10 in (3.61)	1,940 (880)	16 ft 2 in (4.93)	1,430 (649)
+10 ft (3.05 m)	12 ft 7 in (3.84)	2,700 (1225)	13 ft 5 in (4.09)	2,200 (998)	17 ft 3 in (5.26)	1,540 (699)
+8 ft (2.44 m)	13 ft 6 in (4.11)	2,750 (1247)	14 ft 7 in (4.45)	2,220 (1007)	18 ft 1 in (5.52)	1,610 (730)
+6 ft (1.83 m)	14 ft 5 in (4.40)	2,730 (1238)	15 ft 3 in (4.65)	2,260 (1025)	18 ft 8 in (5.69)	1,620 (735)
+4 ft (1.22 m)	14 ft 9 in (4.50)	2,720 (1234)	15 ft 10 in (4.82)	2,290 (1039)	19 ft 0 in (5.79)	1,660 (753)
+2 ft (0.61 m)	14 ft 11 in (4.55)	2,680 (1216)	16 ft 0 in (4.88)	2,290 (1039)	19 ft 1 in (5.82)	1,700 (771)
Ground Level	14 ft 8 in (4.47)	2,490 (1129)	15 ft 11 in (4.85)	2,270 (1030)	18 ft 10 in (5.74)	1,730 (785)
-2 ft (0.61 m)	14 ft 3 in (4.35)	2,440 (1107)	15 ft 7 in (4.75)	2,260 (1025)	18 ft 6 in (5.64)	1,720 (780)
-4 ft (1.22 m)	13 ft 4 in (4.06)	2,440 (1107)	14 ft 10 in (4.52)	2,240 (1016)	17 ft 10 in (5.43)	1,730 (785)
-6 ft (1.83 m)	12 ft 0 in (3.66)	2,440 (1107)	13 ft 10 in (4.21)	2,270 (1030)	17 ft 0 in (5.18)	1,740 (789)
-8 ft (2.44 m)	10 ft 2 in (3.10)	2,500 (1134)	12 ft 6 in (3.81)	2,350 (1066)	15 ft 9 in (4.80)	1,780 (807)
-10 ft (3.05 m)	7 ft 0 in (2.13)	2,780 (1261)	10 ft 4 in (3.15)	2,350 (1066)	14 ft 1 in (4.30)	1,870 (848)
-12 ft (3.66 m)					11 ft 9 in (3.58)	2,040 (925)
-14 ft (4.27 m)					8 ft 1 in (2.47)	2,610 (1184)

Dipper Lift

+14 ft (4.27 m)					13 ft 4 in (4.06)	2,120 (962)
+12 ft (3.66 m)	9 ft 9 in (2.97)	3,950 (1792)	10 ft 8 in (3.25)	3,430 (1556)	14 ft 2 in (4.32)	2,210 (1002)
+10 ft (3.05 m)	10 ft 4 in (3.15)	3,690 (1674)	11 ft 1 in (3.38)	3,170 (1438)	14 ft 6 in (4.42)	2,200 (998)
+8 ft (2.44 m)	10 ft 2 in (3.10)	3,750 (1701)	11 ft 0 in (3.35)	3,240 (1470)	14 ft 5 in (4.40)	2,160 (980)
+6 ft (1.83 m)	9 ft 4 in (2.84)	4,100 (1860)	10 ft 2 in (3.10)	3,610 (1637)	13 ft 10 in (4.21)	2,230 (1012)
+4 ft (1.22 m)	7 ft 6 in (2.29)	4,710 (2136)	8 ft 2 in (2.49)	4,290 (1946)	12 ft 10 in (3.91)	2,420 (1098)

NOTE: Stated figures apply straight to the rear of prime mover. Equipped with 24 in (610 mm) general purpose trenching bucket and links. For heavy-duty universal bucket and coupler, deduct 175 lb (79 kg) from each weight.

BACKHOE OPERATIONAL DATA

	Standard Backhoe		Extendahoe®	
			Retracted	Extended
Digging depth –				
Maximum	14 ft 3 in (4.34 m)		14 ft 10 in (4.52 m)	18 ft 3 in (5.56 m)
2 ft (610 mm) flat bottom	14 ft 2 in (4.32 m)		14 ft 8 in (4.47 m)	18 ft 2 in (5.54 m)
8 ft (2.44 m) flat bottom	13 ft 3 in (4.04 m)		13 ft 9 in (4.19 m)	17 ft 6 in (5.33 m)
Overall reach from –				
Rear axle centerline	21 ft 5 in (6.53 m)		22 ft 0 in (6.70 m)	25 ft 5 in (7.75 m)
Swing pivot	17 ft 10 in (5.44 m)		18 ft 5 in (5.61 m)	21 ft 10 in (6.65 m)
Loading height	11 ft 2 in (3.40 m)		11 ft 5 in (3.48 m)	13 ft 3 in (4.04 m)
Loading reach – dipper retracted	8 ft 9 in (2.67 m)		8 ft 8 in (2.64 m)	11 ft 6 in (3.50 m)
Swing arc	180°		180°	180°
Bucket rotation –				
#1 position	170°		170°	170°
#2 position	170°		170°	170°
Stabilizer spread – operating	9 ft 5 in (2.87 m)		9 ft 5 in (2.87 m)	9 ft 5 in (2.87 m)
Digging force –				
Bucket cylinder	11,212 lbf (49 873 N)		11,212 lbf (49 873 N)	11,212 lbf (49 873 N)
Dipper cylinder	7,049 lbf (31 356 N)		6,686 lbf (29 741 N)	4,884 lbf (21 725 N)
	w/bucket @ 46°		w/bucket @ 50°	w/bucket @ 55°
Leveling angle				
maximum slope that backhoe will make vertical cut	12°		12°	12°

STANDARD EQUIPMENT

OPERATOR'S COMPARTMENT

See page 2

ENGINE

Case Family III 445T/M3 diesel
Tier III certified
Automatic fan belt tensioner
Integral engine oil cooling
Fuel filter w/water trap
Dual element air cleaner
90 amp alternator
Exhaust aspirated air cleaner
850 CCA 12-volt battery
Heavy-duty radiator w/deaeration bottle
Non spark-arresting muffler

LOADER

See page 2

OPTIONAL EQUIPMENT

OPERATOR'S COMPARTMENT

Cab with –
Heater
Defroster
Dome light - door activated w/switch
Wipers, front and rear
Tinted glass
Radio ready kit w/antenna and speakers
Floor mat
Side window partial hold open
Inside release for side windows
Tilt wheel (cab only)
Cab Convenience Package
Windshield washer w/adjustable nozzles (front and rear)
Sunvisor
Vinyl-covered interior
Reduced sound level to 72 dB(A)
Vinyl (ROPS) or cloth-covered (cab) mechanical suspension seat
Vinyl (ROPS) or cloth-covered (cab) Air Ride suspension seat
3 in (76 mm) retractable seat belt
Cab air-conditioning, 100% filtered air, in-cab filter access, 8 adjustable roof vents, 2 floor vents, w/heater
Swing out condenser and fuel cooler

BACKHOE

See page 2

POWERTRAIN

2WD
4F/4R Power shuttle synchromesh transmission
Torque converter
Transmission de-clutch
Electro-hydraulic differential lock
Hydrostatic steering
Wet disc brakes

HYDRAULICS

2-spool loader control valve
6-spool backhoe control valve
Heavy-duty oil cooler

Ride Control

Cab, right door (only w/AC)
Canopy Convenience Package
Front windshield w/wiper & washer
85 dB(A) sound
Floor mat
Sun visor

LOADER

Hydraulic front quick coupler
Attachment auxiliary hydraulics
3 spool valve hydraulics w/thumb control electro hydraulic switch w/detent
Buckets (see page 2)

BACKHOE

Case coupler
Attachment auxiliary hydraulics
Extendahoe®
Two-lever control
Joystick Actuated Pilot Operated Control System
Fingertip Proportional
Electrohydraulic stabilizer controls.
Thumb operated Proportional
Electrohydraulic Extendahoe control
Thumb operated horn button
Thumb operated AuxiliaryHydraulic Control
Infinitely Adjustable Towers
In-Cab Switchable "Excavator to Backhoe" control pattern change

OTHER

Forward tilt engine hood
Replaceable, molded front bumpers
Front/rear tie downs
Reflective logos
Lights - Cab and Canopy
(2) Rear tail/stop
(2) Front flashers/turn
(2) Rear flashers/turn
Cab only
4 Front & 4 rear adjustable halogen lights (55 w)
Canopy only
2 Front & 2 rear adjustable halogen lights (55 w)

Stabilizer pads

Flip-over
Rubber pad

Front counterweights

440 lb (200 kg)
900 lb (408 kg)

ENGINE

Cold weather grid heater starting aid
Dual, 12-volt, 850 CCA batteries
Fuel tank, 40 gal (151 L)
Exhaust aspirated air cleaner
Spark arresting muffler

POWERTRAIN

4WD w/outboard planetary drive, on-the-go push-button activation and 12 x 16.5 front tires

HYDRAULICS

Auxiliary backhoe uni-directional hydraulics
Auxiliary backhoe bi-directional hydraulics

OTHER

Outside breakaway mirror
17.5L x 24 rear tires
19.5L x 24 rear tires
Tool box
Special paint
Lights - canopy
Additional 2 front and 2 rear halogen lights (55 w)

NOTE: All specifications are stated in accordance with SAE Standards or Recommended Practices, where applicable.

NOTE: All engines meet current EPA emissions requirements.

IMPORTANT: Case Construction Equipment Inc. reserves the right to change these specifications without notice and without incurring any obligation relating to such change. Case Construction Equipment Inc. does not warrant the safety or reliability of attachments from other manufacturers.

Case is a registered trademark of CNH America LLC. Any trademarks referred to herein, in association with goods and/or services of companies other than CNH America LLC, are the property of those respective companies.



www.casece.com

